



Thermo-hygrometers

HD 100 - HD 150

New
CE



Functions

- Relative humidity, dew point and ambient temperature
- Selection of units (temperature and dew point)
- HOLD function
- Minimum and maximum values
- Adjustable automatic shut-off
- Adjustable backlight

Technical features

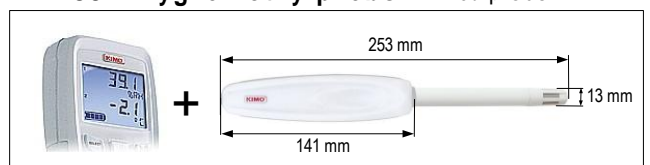
- Measuring element**..... **Hygrometry and temperature** :
CMOS sensor
- Display**..... 2 lines, LCD technology. Sizes 50 x 34.9 mm.
1 line of 5 digits with 7 segments (value)
1 line of 5 digits with 16 segments (unit)
- Housing**..... Shock-proof made of ABS, IP54 protection or IP67 with food industry protective cover
- Keypad**..... Metal-coated with 5 keys
- Cable**..... Retractable, length 450 mm, up to 2.4 m when released (*HD 100*)
Straight, length 1 meter (*HD 150*)
- Conformity**..... electromagnetical compatibility (NF EN 61326-1 guideline)
- Power supply**..... 1 alkaline battery 9V 6LR61
- Operating temperature** (instrument) ... from 0 to 50°C
- Operating temperature** (probe)..... from -20 to +70°C
- Storage temperature**..... from -20 to +80°C
- Auto shut-off**..... adjustable from 0 to 120 min
- Weight**..... 190g
- Languages**..... French, english



HD 100 – Hygrometry probe – Fixed probe



HD 150 – Hygrometry probe – Fixed probe



*except class 100S and 150S

Specifications

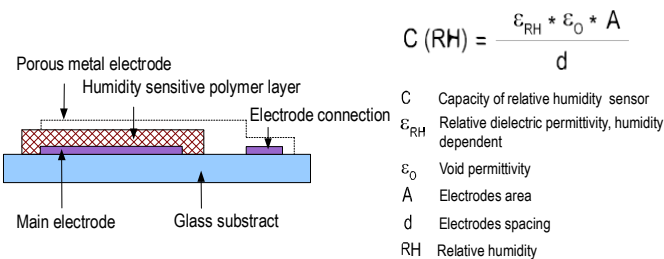
Measuring units	Measuring range	Accuracy*	Resolutions
HUMIDITE RELATIVE			
%RH	from 5 to 95 %RH	Accuracy* (Repeatability, linearity, hysteresis) : ±1.8%RH (from 15°C to 25°C) Factory calibration uncertainty : ±0.88 %RH Temperature dependence : ±0.04 x (T-20) %RH (if T<15°C or T>25°C)	0.1 %RH
DEW POINT			
°C _{td} °F _{td}	from -40 to +70°C _{td}	±0.8% of reading ±0.6°C _{td}	0.1°C _{td}
AMBIENT TEMPERATURE			
°C, °F	from -20 to +70°C	±0.4% of reading ±0.3°C	0.1°C

*All accuracies indicated in this document were stated in laboratory conditions and can be guaranteed for measurements carried out in the same conditions, or carried out with required compensation. As per NFX 15-113 and the Charter 2000/2001 HYGROMETERS, GAL (Guaranteed Accuracy Limit) which has been calculated with a coverage factor value of 2 is ±2.88%RH between 18 and 28°C on the measuring range from 5 to 95%RH. Sensor drift is less than 1%RH/year.

Working principle

Capacitive sensing element for relative humidity measurement

Inside the probes, a capacitive polymer layer reacts with the humidity present between two metal layers which cover a glass substract. Water absorption is a function of relative humidity of the surrounding environment, and modifies the dielectric constant. The measured signal is directly proportionnal to the relative humidity and is dependent on the atmospheric pressure.

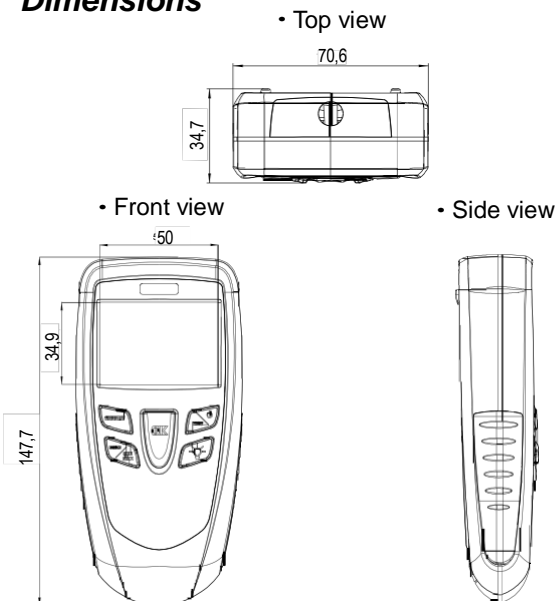


Semiconductor temperature sensor

The direct tension of a silicon diode is :

$$V_{BE} = V_{G0}(1-T/T_0) + V_{BE0}(T/T_0) + (nKT/q)\ln(T_0/T) + (KT/q)\ln(IC/IC_0)$$

Dimensions



Supplied with ...

- Included
- Optionnal



DESCRIPTION	HD 100	HD 150
Hygrometry probe Ø 13 mm, lg. 110 mm	●	●
Protective cover for food industry IP67	○	●
Calibration certificate*	●	●
Transport case	●	●

*except class 100S and 150S

Accessories (See related datasheet)

CE 100	RTS
Protective cover with magnet and holding system	Telescopic extension (for probe), 1m long and bent at 90°
CEP 100	
Protective cover against water spray	

Warranty period

Instruments have 1-year guarantee for any manufacturing defect (return to our After-Sales Service required for appraisal).

Distributed by :



Power Tech International Group
 sales@powertech-group.com
 www.powertech-group.com