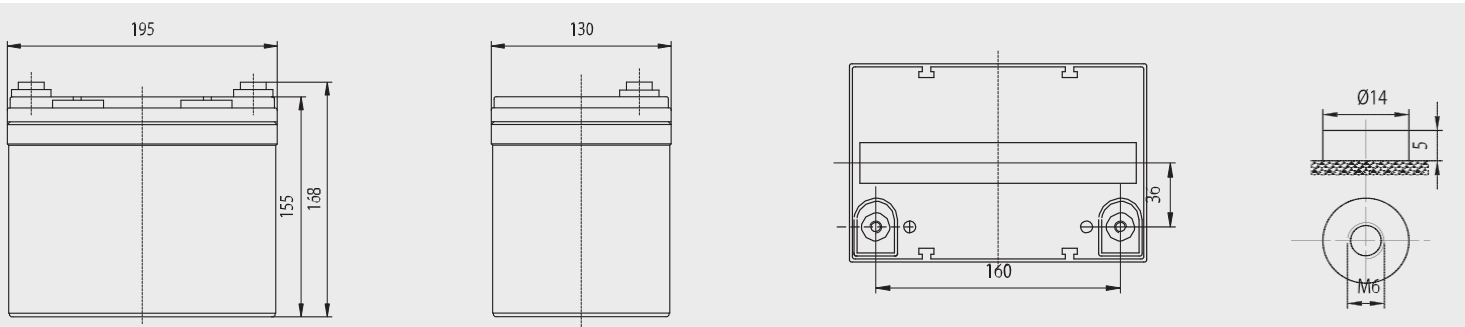




VRLA Battery **SPB 12-33**

Specifications	Nominal Voltage 12V					
	Rated Capacity (25°C)	20hr Rate (1,80V/cell)	10hr Rate (1,80V/cell)	5hr Rate (1,70V/cell)	1hr Rate (1,60V/cell)	
		34Ah	33Ah	32Ah	21Ah	
	Dimensions (mm)	Length	Width	Height	Overall Height	Weight
	&Weight(kg)	195mm	130mm	155mm	168mm	10,20kg
	Number / Type of Terminals	2 / M6				

Technical	Characteristics
Design Life at 20°C	10-12 years
Eurobat Classification	High Performance
Internal Resistance (Fully charged - 25°C)	10 mΩ
Short-circuit current	850 A
Max Charging Current	9,9 A
Min safe end Discharge Voltage	1,60 V/cell
Self discharge per month at 20°C	3%
Recommended Charging Voltage at 20°C	Stand-by use (V/cell): 2,25 to 2,30
	Cycle use (V/cell): 2,40 to 2,50
Container Material	ABS-UL94 HB
Electrolyte Type	Sulfuric Acid
Type of plates / Alloy	Flat plates / Lead-Calcium-Tin alloy
Type of Separator	Absorbant Glass Mat
Valve Type / Operational Pressure	Rubber / 1-3 psi (70-200 mbar)
Operating Temperature Range	-20 to + 50°C
Storage time at 20°C	9 months



Power Tech International Group
 sales@powertech-group.com
 www.powertech-group.com